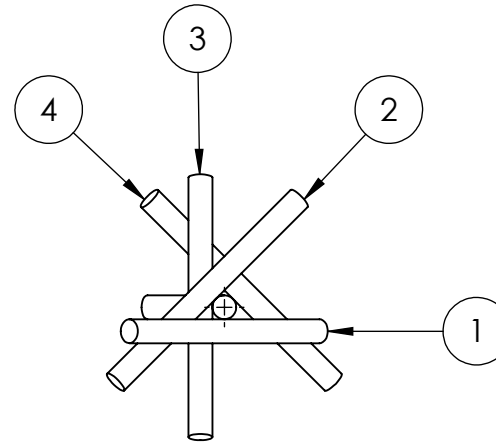
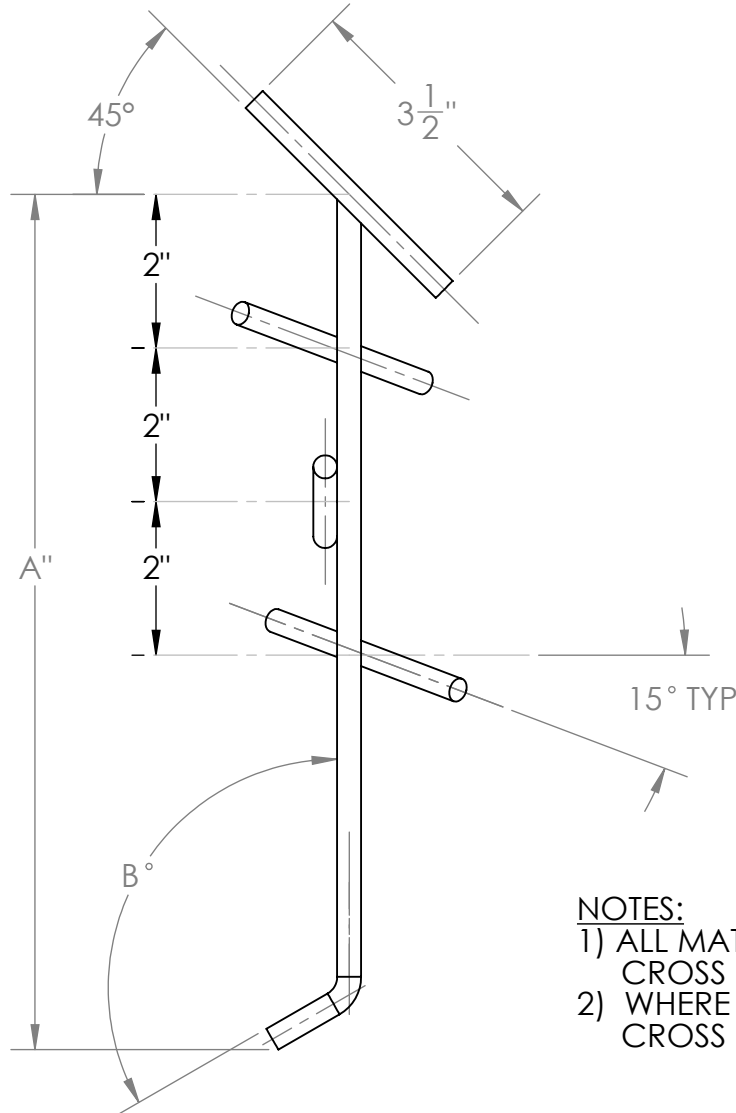


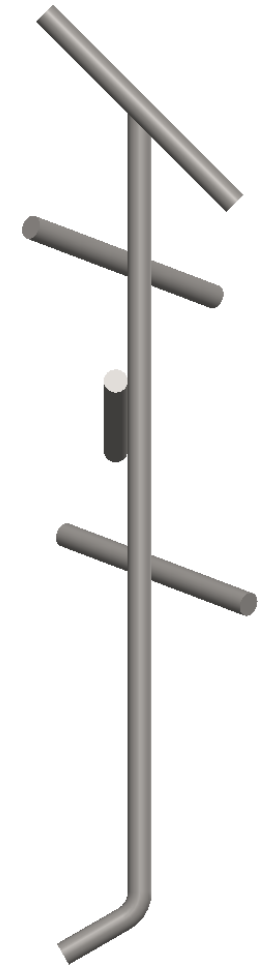


ANCHOR DIMENSION TABLE

A=	B=	C=	D=	E=	F=	G=	H=	I=	J=	K=



TOP VIEW



BT

NOTES:

- 1) ALL MATERIAL TO BE ϕ 5/16 SS
 CROSS BARS TO BE 3 1/2" LONG
- 2) WHERE DIMENSION "A" IS 7" OR LESS,
 CROSS BAR #4 IS TO BE OMITTED.