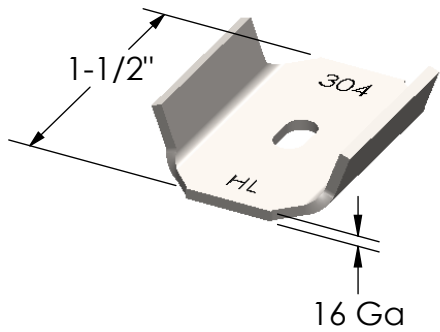


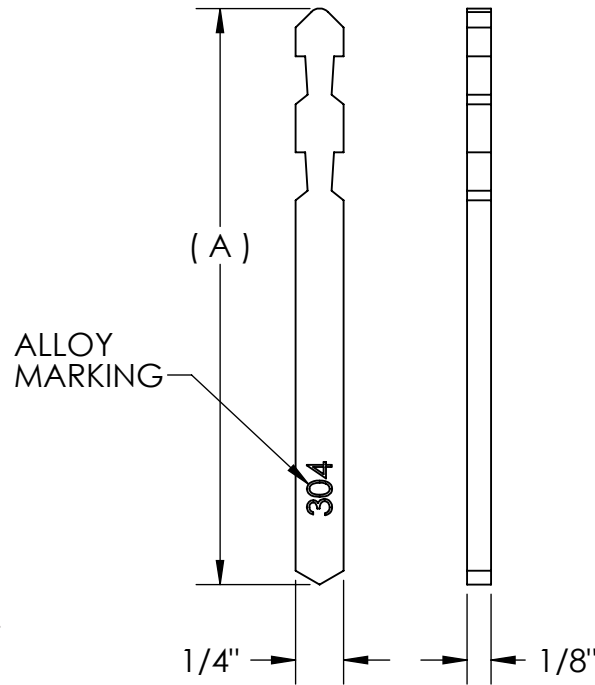


### ANCHOR DIMENSION TABLE

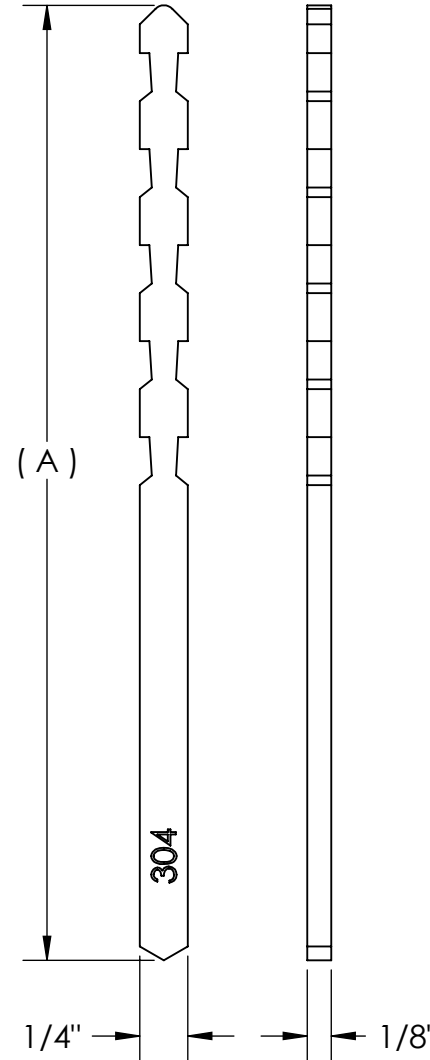
A=	B=	C=	D=	E=	F=	G=	H=	I=	J=	K=



ANCHOR WASHER



2 NOTCH FOR 3"  
 AND SHORTER  
 STUDS



HL-114