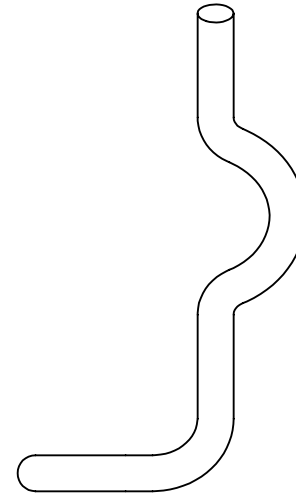
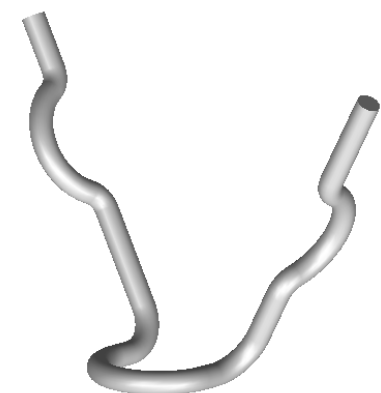
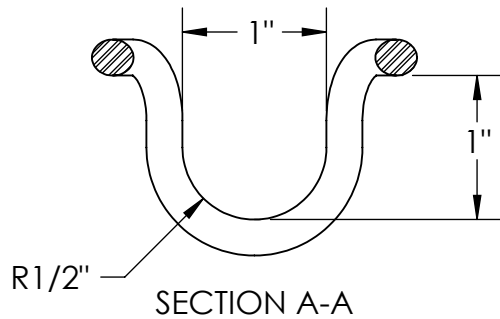
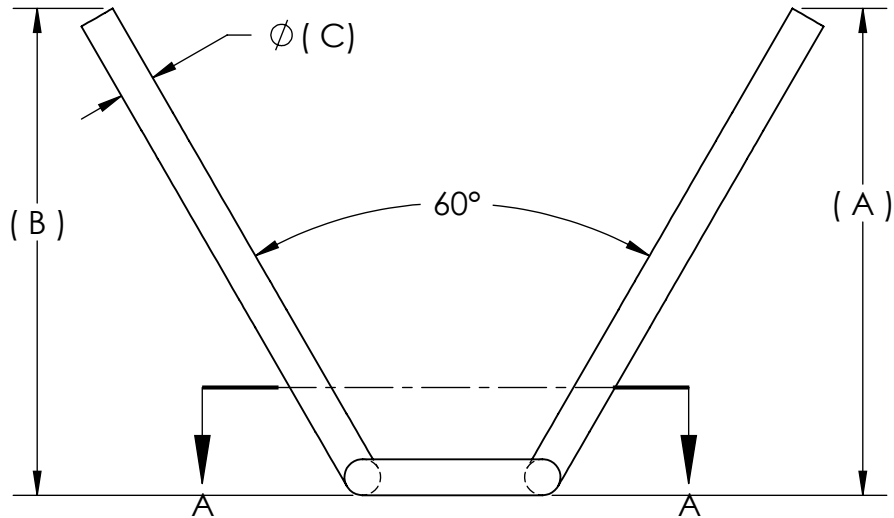


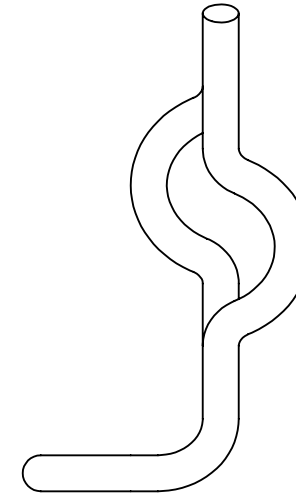


ANCHOR DIMENSION TABLE

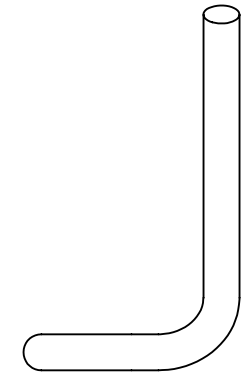
A=	B=	C=	D=	E=	F=	G=	H=	I=	J=	K=



-A



-B



-C

IF DIM (A) IS LESS
 THAN 63 mm (2 1/2")
 NO CRIMP

HL-201-UOP
 -A, -B, -C