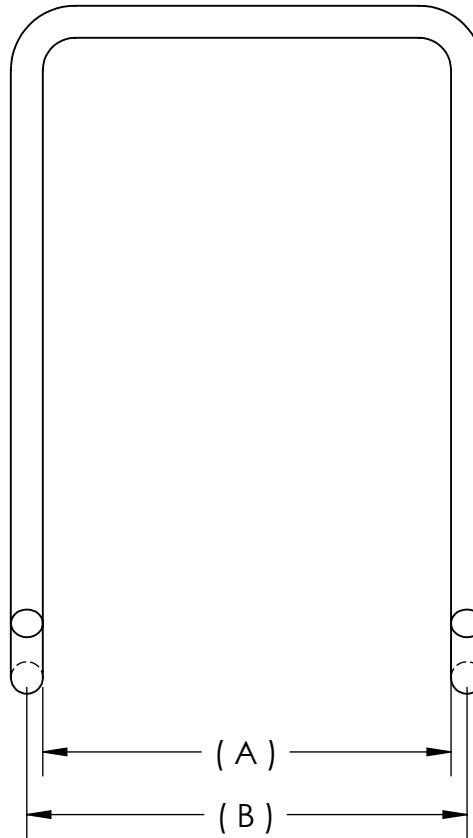
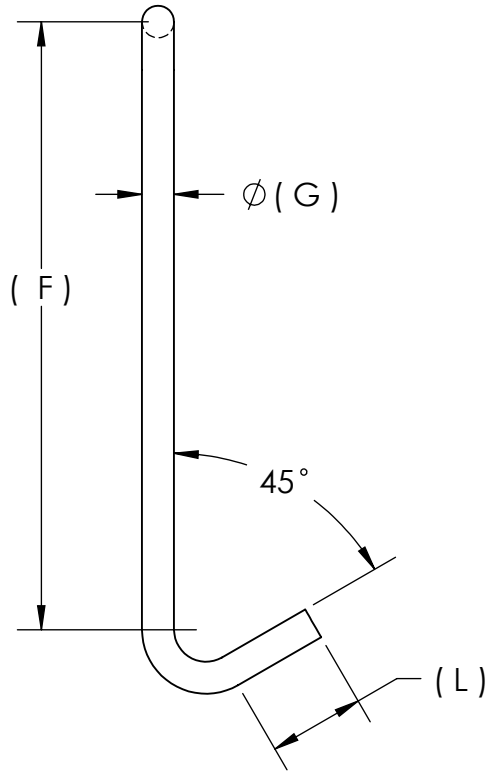
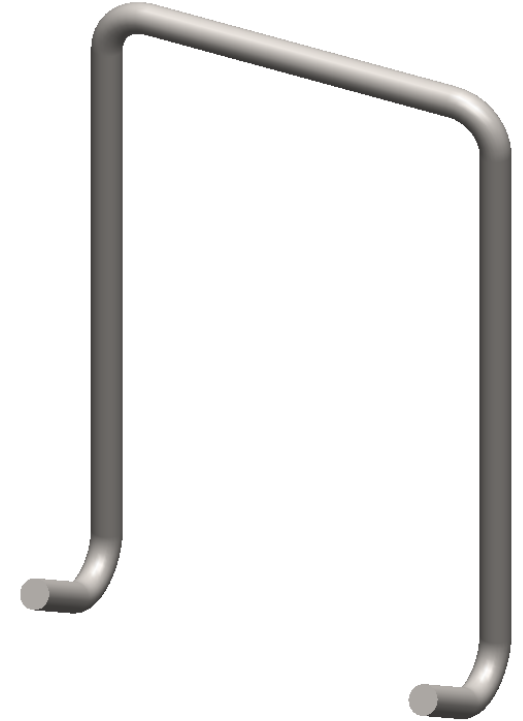




ANCHOR DIMENSION TABLE

A=	B=				F=	G=				L=



HL-306