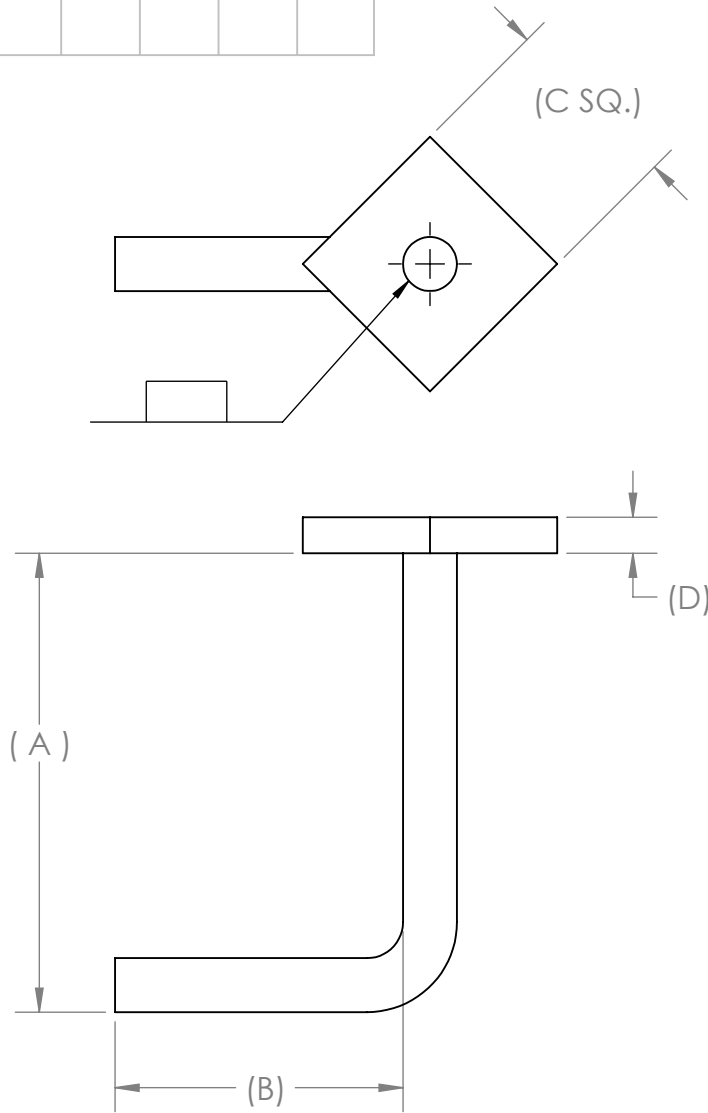




### ANCHOR DIMENSION TABLE

A=	B=	C=	D=	E=	F=	G=	H=	I=	J=	K=



HL-314

[www.hanlock.com](http://www.hanlock.com)