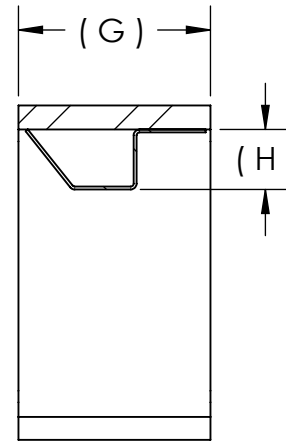
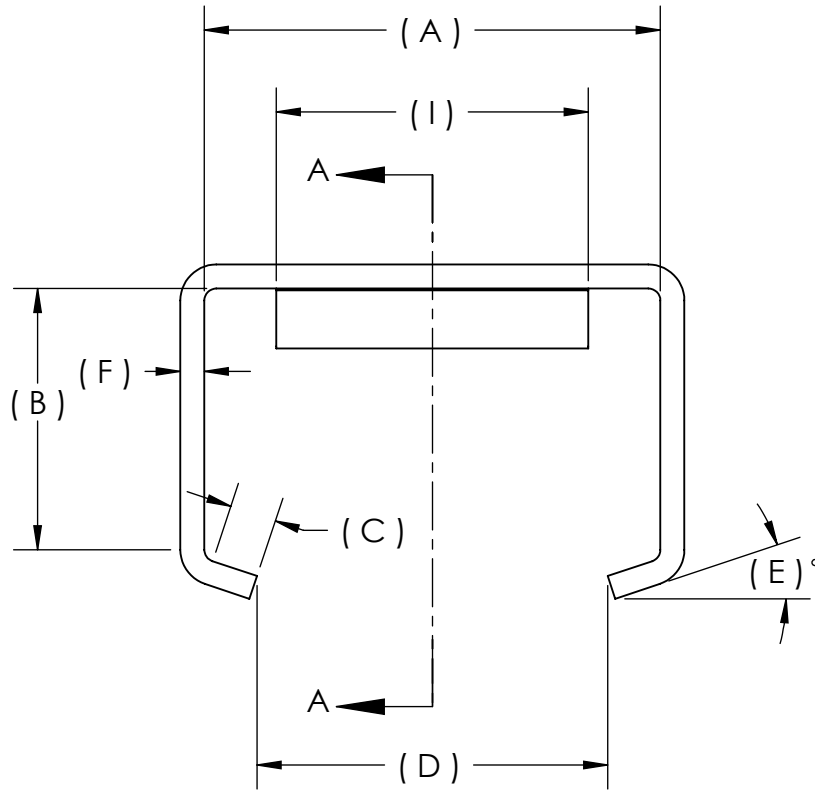
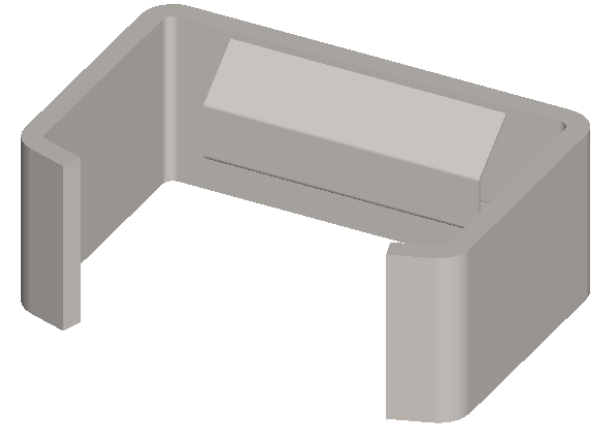




**ANCHOR DIMENSION TABLE**

A=	B=	C=	D=	E=	F=	G=	H=	I=	J=	K=



SECTION A-A

CERAMIC ANCHOR DATA:  
 BRICK MANUFACTURER \_\_\_\_\_

**HL-320-SL**

[www.hanlock.com](http://www.hanlock.com)