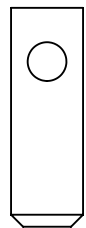
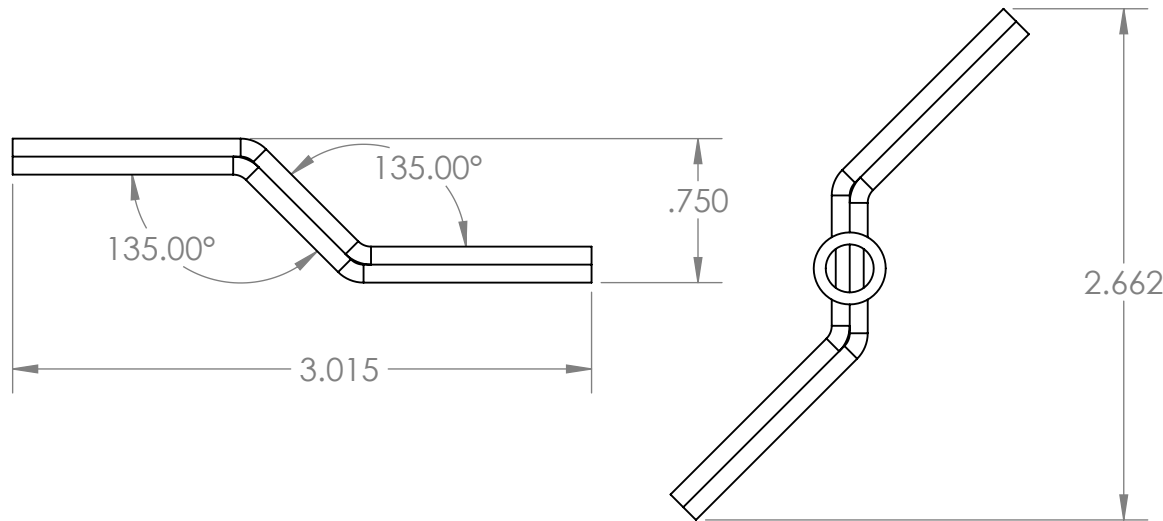
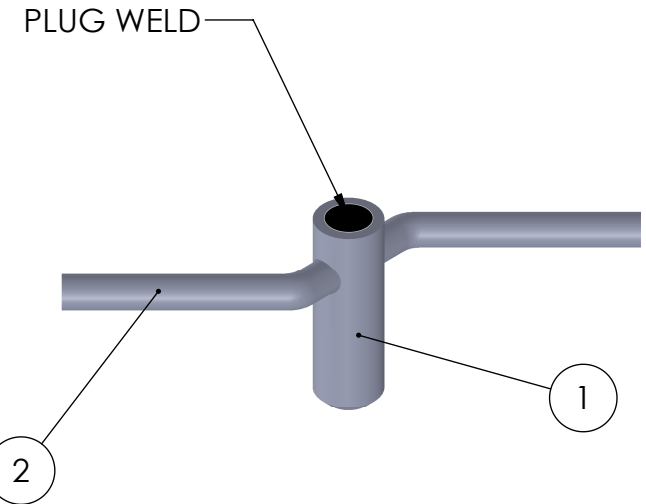
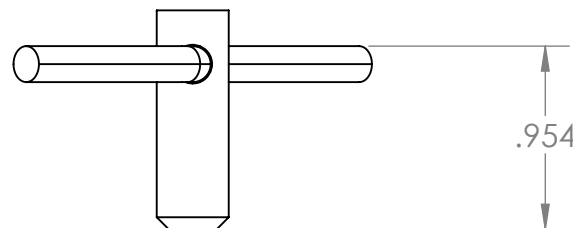




ITEM NO.	PART NUMBER	DESCRIPTION	QTY.
1	HL-510-3	3/8" BASE	1
2	HL-505-1	3/16 ANCHOR TINE	1



HL-510-3
 STUD WELD BASE



HL-505