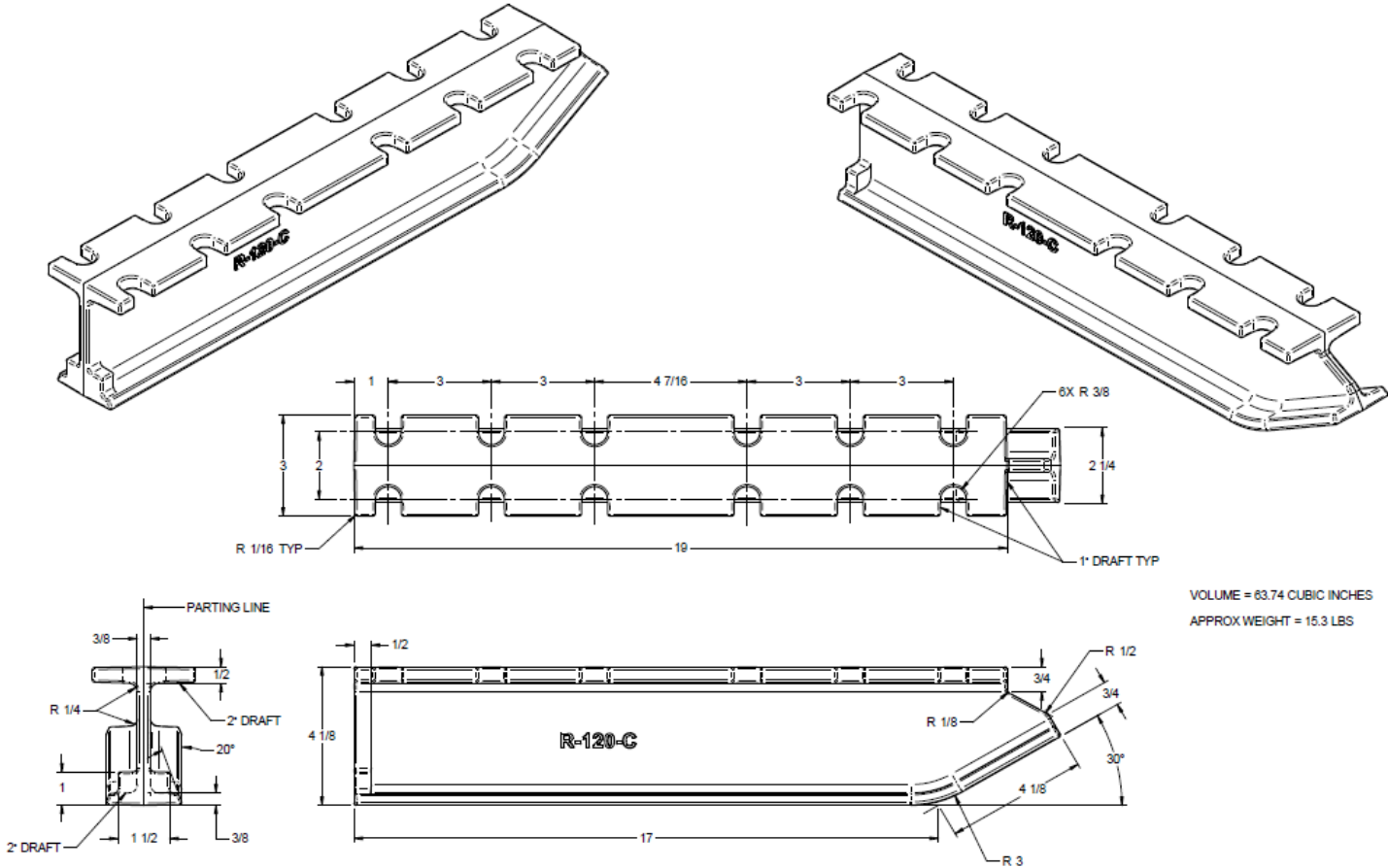


R-120-C



VOLUME = 63.74 CUBIC INCHES
APPROX WEIGHT = 15.3 LBS