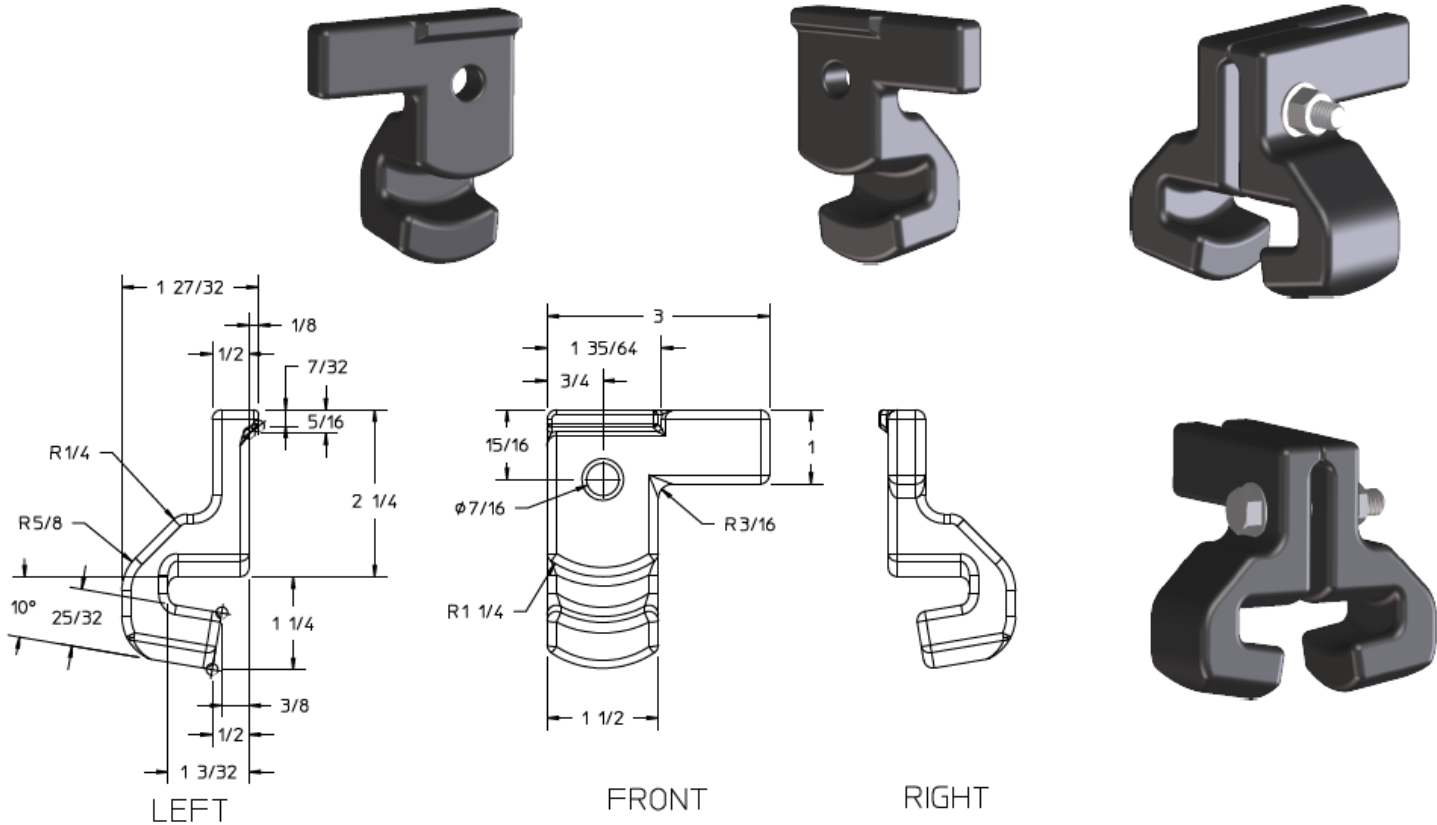




# R-48 Beam Hanger (HTAC Alloy)



### R-48 Beam Hanger Assembly

- 1 Pc R-48 A Rt Side HTAC Alloy
- 1 Pc R-48 A Lt Side HTAC Alloy
- 1 Pc 2" X 3/8" 304 SS Hex Head Bolt
- 2 Pc 3/8" CS Washer
- 1 Pc 3/8" 304 SS Hex Nut