

FIG. 1

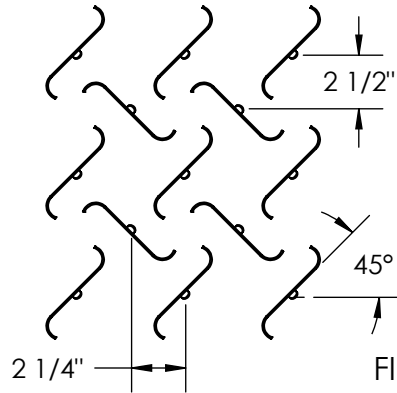


FIG. 2

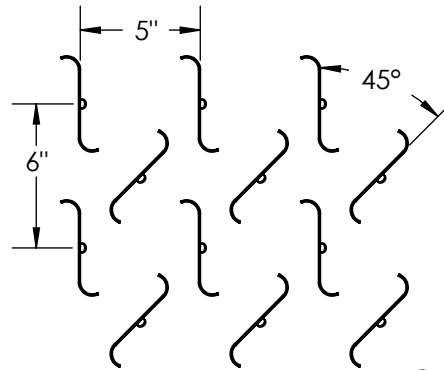


FIG. 3

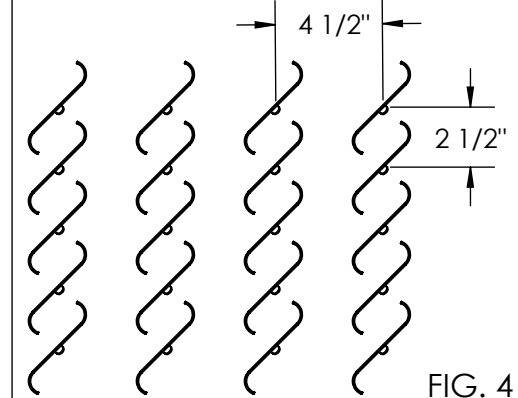


FIG. 4

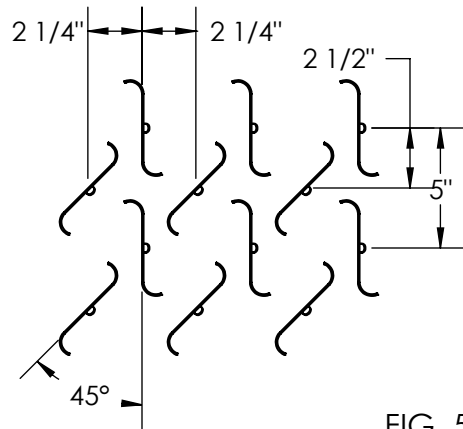


FIG. 5

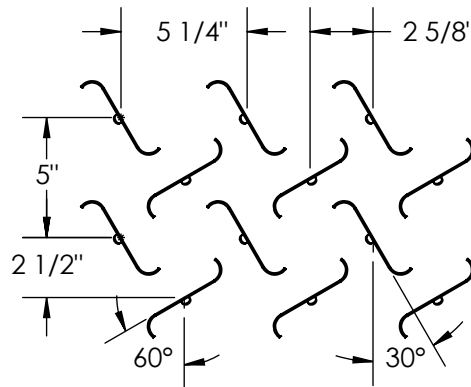


FIG. 6

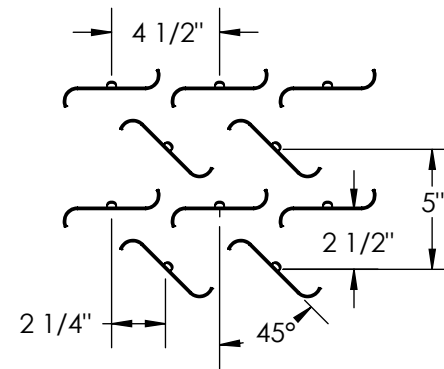


FIG. 7

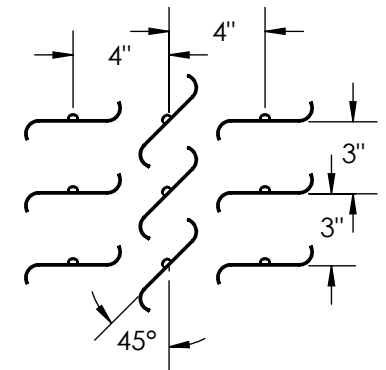


FIG. 8

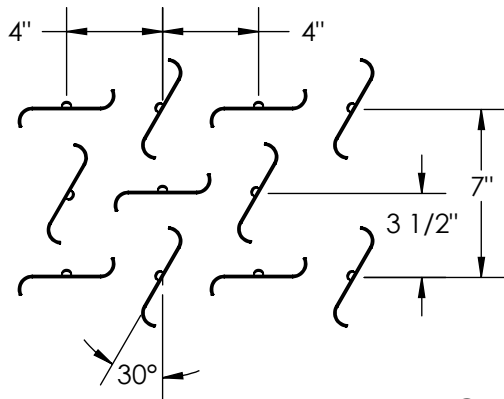


FIG. 9

**NOTE: SEE END USER SPECIFICATION  
FOR WELD PATTERNS AND DETAILS.**

S-ANCHOR  
PATTERNS