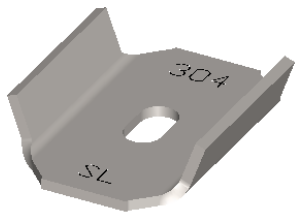
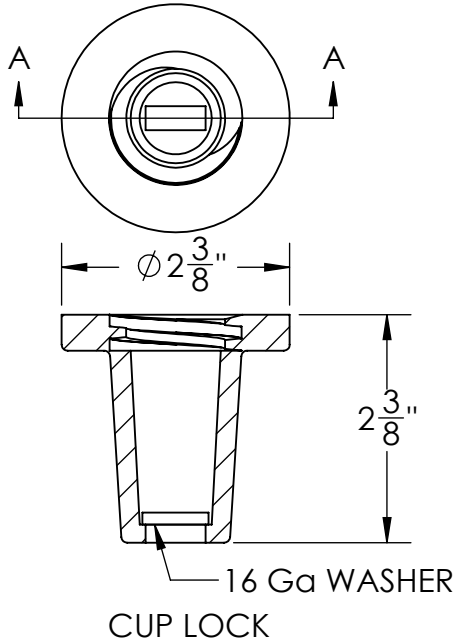


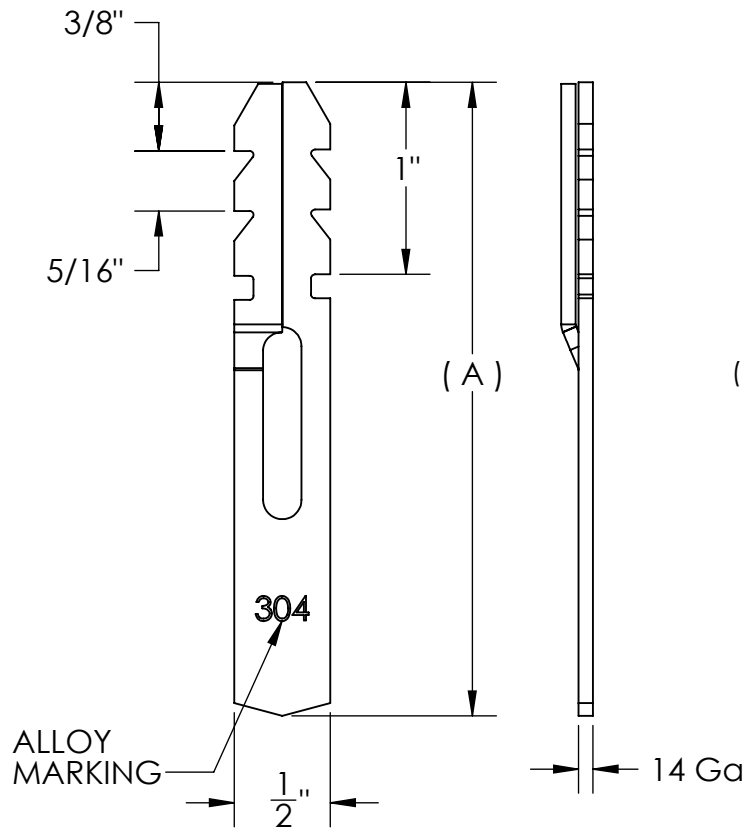


### ANCHOR DIMENSION TABLE

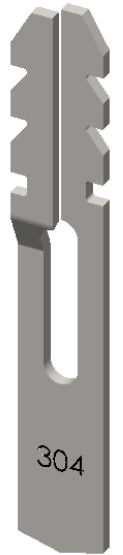
A=	B=	C=	D=	E=	F=	G=	H=	I=	J=	K=



SL WASHER



( A ) = 2-1/2" MINIMUM



SL-100