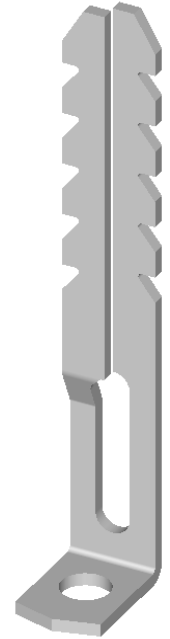
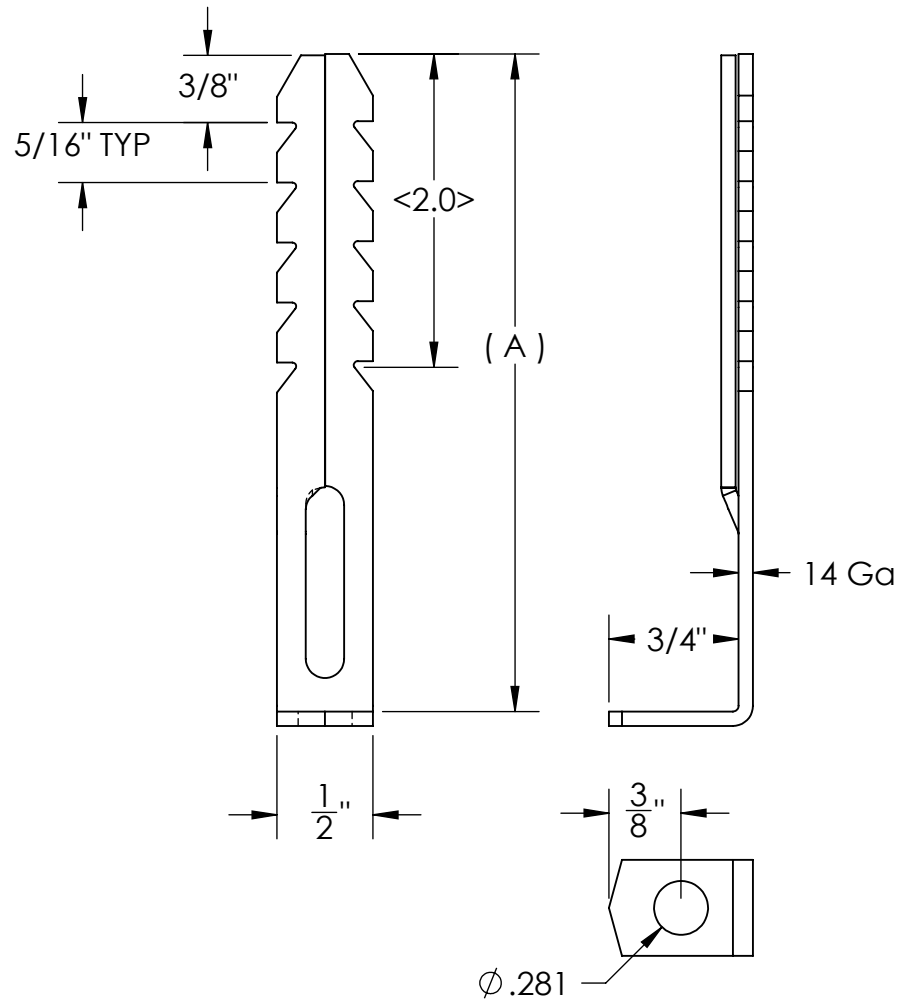




ANCHOR DIMENSION TABLE

A=	B=	C=	D=	E=	F=	G=	H=	I=	J=	K=

NOTE :
 A DIMENSION IS 3-1/2 MIN.



SL-111