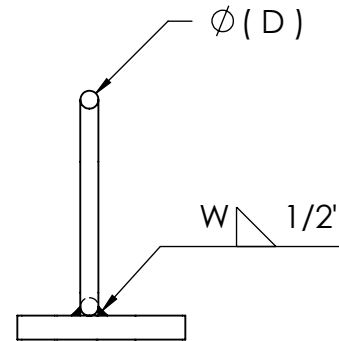
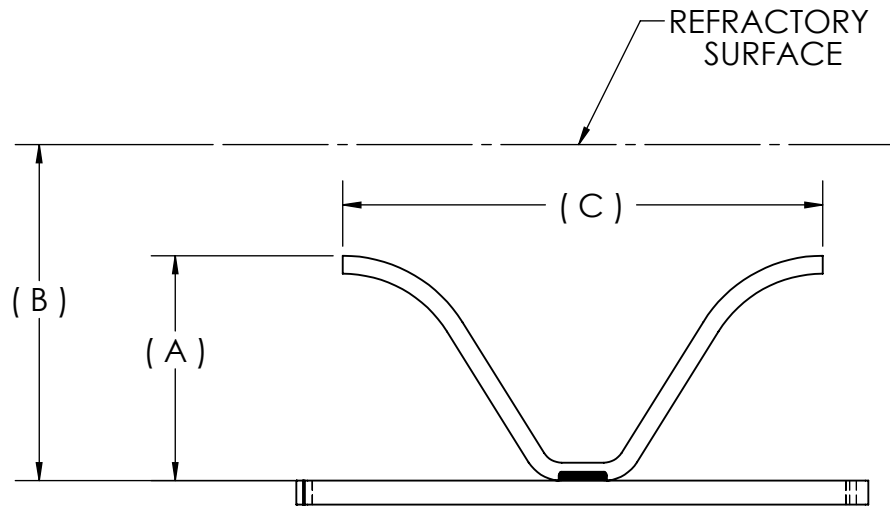
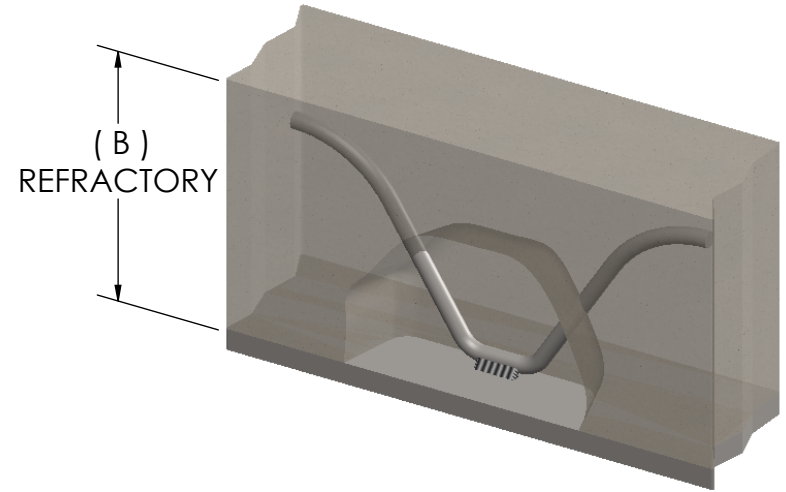




ANCHOR DIMENSION TABLE

A=	B=	C=	D=	E=	F=	G=	H=	I=	J=	K=



NOTE: SEE END USER SPECIFICATION FOR WELD PATTERN AND DETAILS.

**VEE ANCHOR
 WELD DETAIL**

www.hanlock.com